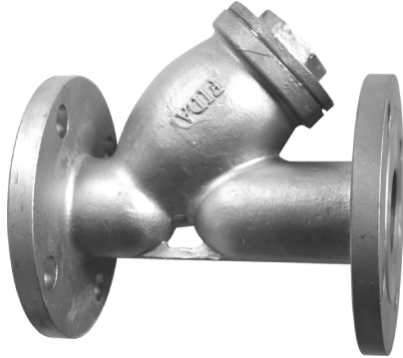


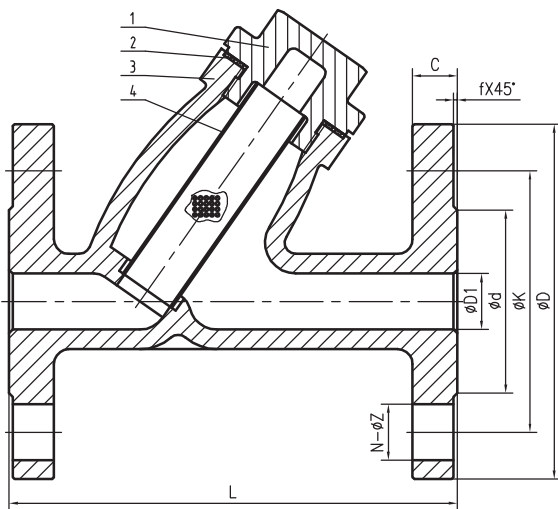
Model: YS-55A

10K Flange Ends



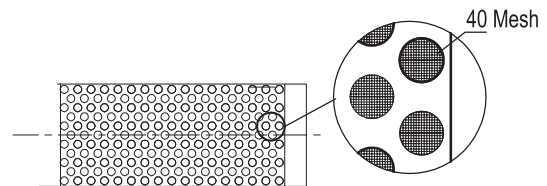
Features:

- Design Stand: JIS B2071
- Face to Face Stand : JIS B2220
- Flange Ends: JIS B2220
- Test Stand: JIS B2003
- Max.Working Temperature: 180 °C
- Max.Working Pressure: 16 kg



Material:

No.	Part Name	Material	
1	Cap	SCS14	SCS13
2	Gasket	PTFE	PTFE
3	Body	SCS14	SCS13
4	Mesh	316	304



Dimensions

Unit : mm

Size	L	D	D1	K	d	C - f	N - φ Z
1"	160	125	25	90	67	14 - 1	4-19
1.1/2"	180	140	40	105	81	16 - 2	4-19
2"	200	155	50	120	96	16 - 2	4-19
2 1/2"	270	175	65	140	116	18 - 2	4-19
3"	290	185	80	150	126	18 - 2	8-19
4"	340	210	100	175	151	18 - 2	8-19