

MODEL: SV-18E (WCB)

PN16 PN25 PN40 PN64 Flange Ends



Features:

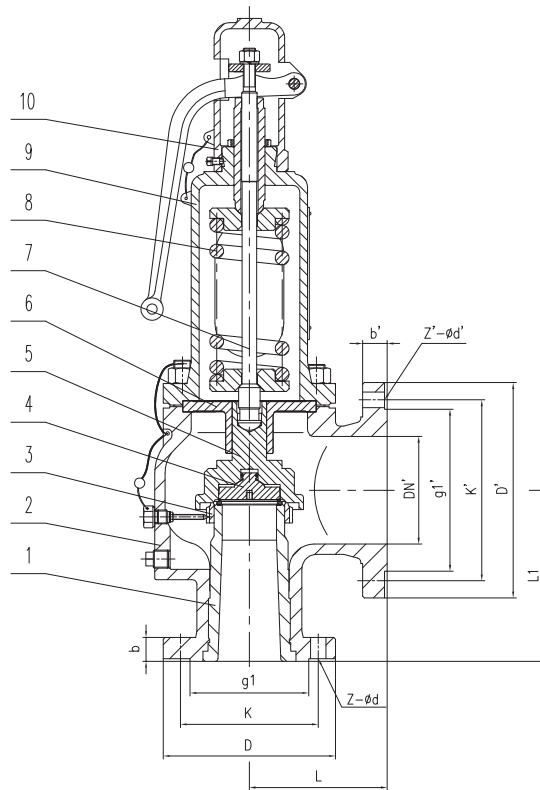
The type are used for the equipment and pipeline of the with steam and air etc medium what the working temperature are less than 350°C

Flange connecting dimensions of comply with standard series first of DIN2543-2000 when the pressure less than 6.4 MPa, comply with standard series second of JB/T-94 when more than 6.4 MPa.

Spring range in kgf/cm ² :	
PN16	1-1.6 , 1.6-2.5 , 2.5-4 , 4-6 , 6-8 , 8-10 , 10-13 , 13-16
PN25	10-13 , 13-16 , 16-20 , 20-25
PN40	13-16 , 16-20 , 20-25 , 25-32 , 32-40
PN64	25-32 , 32-40 , 40-50 , 50-64
Max. Working temperature: -20°C-350°C	

Material:

No.	Part	Material
1	Nozzle	2Cr13+STL
2	Body	WCB
3	Adjusting Ring	2Cr13
4	Disc	2Cr13+STL
5	Disc holder	2Cr13
6	Guide	2Cr13
7	Stem	2Cr13
8	Spring	50CrVA
9	Bonnet	WCB
10	Cap	WCB



Dimensions

Unit : mm

DN x DN'	D	K	g1	b	z-ø d	D'	K1	g1'	b'	z-ø d'	L	L1	DN'
25 x 40	115	85	68	18	4-ø14	150	110	88	18	4-ø18	100	105	40
40 x 65	150	110	88	21	4-ø18	185	145	122	20	4-ø18	115	140	65
50 x 80	165	125	102	22	4-ø18	200	160	138	21	8-ø18	120	150	80
65 x 100	185	145	122	22	4-ø18	220	180	158	22	8-ø18	140	170	100
80 x 125	200	160	138	24	8-ø18	250	210	188	23	8-ø18	160	195	125
100 x 150	220	180	158	24	8-ø18	285	240	212	24	8-ø23	180	220	150