

Model:FS-207J

Class 800

Screwed Ends

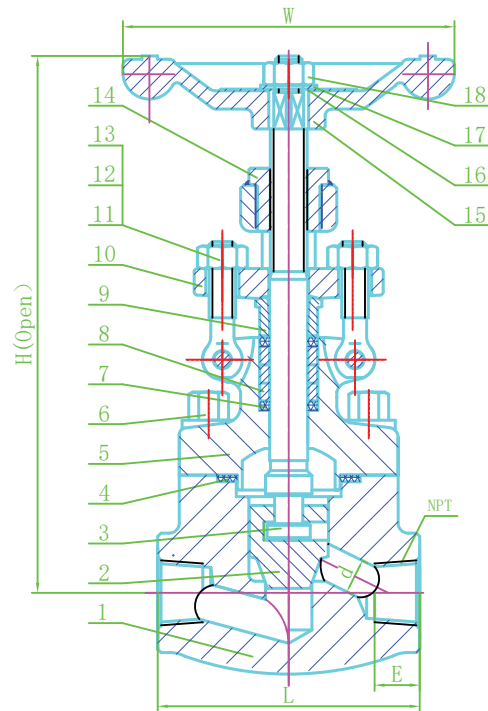


### Features:

- Design Manufacture : API 602
- Screw end dimensions : ANSI B1.20.1/NPT
- Socket Welding dimensions : ASME B16.11
- Material according to ANSI / ASTM
- Test Standard: API 598
- Bolted bonnet and outside screw and yoke
- Material: Class 800, Trim 8
- Application: Steam, Hot Water, Oil, Gas
- Max. Working Pressure: 800psi (55bar)
- Max Working Temperature: 425 °C

### Material

| NO. | Part Name      | Material     |
|-----|----------------|--------------|
| 1   | Body           | A105         |
| 2   | Disc           | A276 420     |
| 3   | Stem           | A276 410     |
| 4   | Gasket         | 304+Graphite |
| 5   | Bonnet         | A105         |
| 6   | Bolt           | A193 B7      |
| 7   | Packing        | Firber       |
| 8   | Packing        | Graphite     |
| 9   | Gland          | A276 410     |
| 10  | Glang Flange   | A105         |
| 11  | Pin            | 35           |
| 12  | Drop Bolt      | A193 B7      |
| 13  | Hexagon Nut    | A194 2H      |
| 14  | Stem Nut       | A276 410     |
| 15  | Hangwheel      | A197         |
| 16  | Name Plate     | LY12         |
| 17  | Gasket         | 25           |
| 18  | Tightening Nut | A194 2H      |



### Dimension

Unit: mm

| Size | 1/2" | 3/4" | 1"   | 1 1/4" | 1 1/2" | 2"   |
|------|------|------|------|--------|--------|------|
| L    | 79   | 92   | 111  | 152    | 152    | 172  |
| H    | 142  | 147  | 200  | 260    | 260    | 295  |
| E    | 13.6 | 13.9 | 17.3 | 18.4   | 18.4   | 19.3 |