

Model: FD-33D

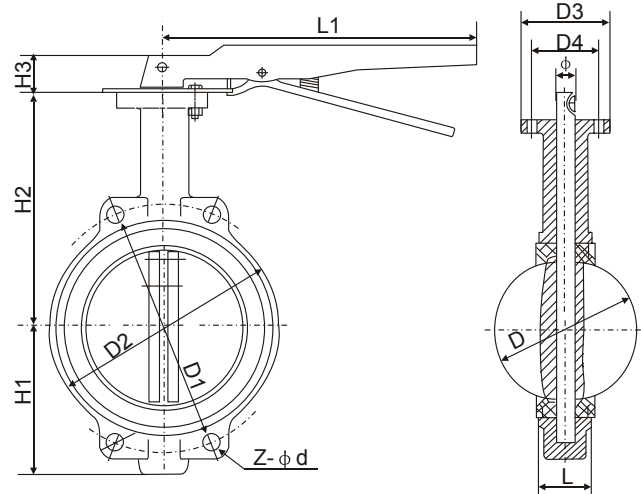
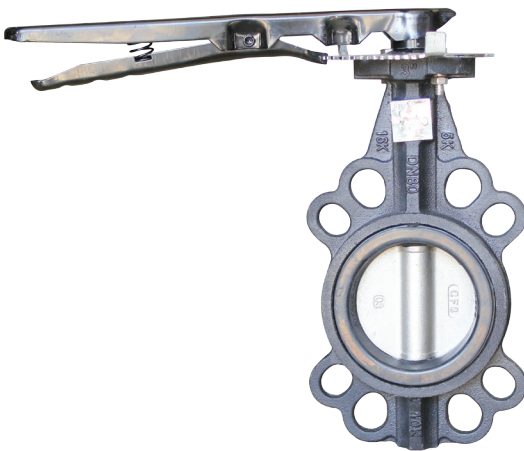
Universal Flange

Features:

- Small size and light in weight in weight. Easy installation and maintenance. It can be mounted wherever needed.
- Simple and compact construction, quick 90 degree on-off operation.
- Minimized operation torque, energy saving.
- Flow curve tending to straight line. Excellent regulation performance
- long service life Standing the test of tens of thousands opening/closing operations
- Bubbles-tight sealing with no leakage the pressure test
- Wide selection of materials, applicable for various medium.
- Working Temperature : -23 ~ +120°C
- Max. Working Pressure : 16 bar
- Suitable mediums : Water, Air,

Material:

No.	Part	Material
1	Body	Cast Iron
2	Disc	CF8
3	Stem	SS416
4	"O" Ring	EPDM / NBR
5	Seat	EPDM / NBR



Dimensions

DN (mm)	L	L1	D	D1	D2	D3	D4	φ	H1	H2	H3	Z-φd
50	42	160	52.9	125	92	77	57	12.6	70	147	60	4-φ23
65	44.7	160	64.5	145	110	77	57	12.6	76	155	60	4-φ23
80	45.2	160	78.8	160	121	77	57	12.6	92	164	60	8-φ20
100	52.1	160	104	180	153	92	70	15.78	106	175	60	4-φ23
125	54.4	160	123.3	210	176	92	70	18.92	119	194	60	4-φ23
150	55.8	160	155.6	240	207	92	70	18.92	132	206	60	4-φ25
200	60.6	210	202.5	295	259	115	89	22.10	162	237	72	4-φ25
250	65.6	210	250.5	355	316	115	89	28.45	200	282	72	4-φ28
300	77	210	301.6	410	370	140	108	31.6	225	311	75	4-φ28
350	76.5	210	333.3	470	405	140	108	31.6	263	335	75	4-φ30
400	86.5	320	389.6	525	470	197	159	33.15	309	400	126	4-φ30
450	105.6	320	440.5	585	522	197	159	38	328	420	126	4-φ30
500	132	320	491.6	650	566	197	159	41.15	361	480	126	4-φ33
600	152	340	592.5	770	693	276	216	50.65	459	560	127	4-φ36
700	163	380	695	840	801	300	254	63.5	520	624	167	24-φ36
800	188	380	794.7	950	907	300	254	63.5	590	680	167	24-φ39
900	203	400	864.7	1050	1016	300	254	75	656	720	193	28-φ39
1000	216	400	965	1170	1123	300	254	85	720	800	193	28-φ42
1200	276	450	1158	1390	1455	350	298	105	844	941		28-φ49